

1

2

3

4

5

6

A

A

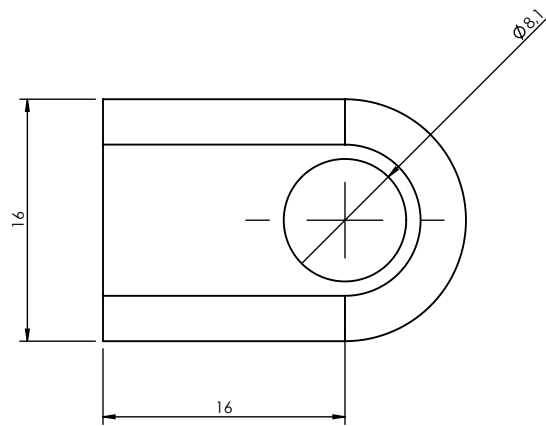
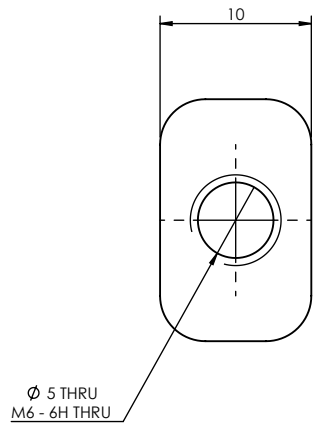
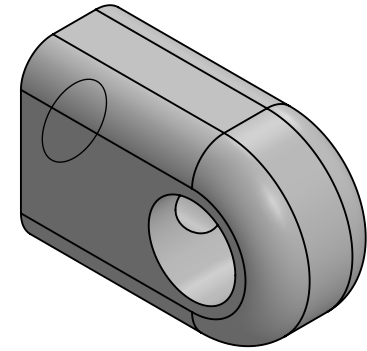
B

B

C

C

D

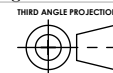


Unless otherwise specified: All dimensions are in millimeters & include chem. applied/plated finish. Remove Burrs & sharp edges.

CONFIDENTIAL: THIS DOCUMENT AND THE INFORMATION CONTAINED IN IT ARE CONFIDENTIAL, AND CANNOT BE COPIED OR DISCLOSED IN WHOLE OR IN PART WITHOUT THE EXPRESS WRITTEN CONSENT OF BRIMOTECH SOLUTIONS HOLLAND

Tolerance according to NEN-ISO 406
 Roughness according to NEN 3634
 Shape tolerance according to NEN-ISO 1101

Nominal size (mm)	dim variation (mm)	
	max	min
0.1	0	-0.01
0.2	0	-0.01
0.3	0	-0.01
0.5	0	-0.01
0.8	0	-0.01
1.0	0	-0.01
1.5	0	-0.01
2.0	0	-0.01
3.0	0	-0.01
4.0	0	-0.01
5.0	0	-0.01
6.0	0	-0.01
8.0	0	-0.01
10	0	-0.01
15	0	-0.01
20	0	-0.01
30	0	-0.01
40	0	-0.01
50	0	-0.01
60	0	-0.01
80	0	-0.01
100	0	-0.01
150	0	-0.01
200	0	-0.01



Brimotech
 solutions

Brimotech Solutions
 Koperstraat 4 8211 AK Lelystad
 T: +31 (0)320 769103 F: +31 (0)84 8317577
 The Netherlands

Info@brimotech.nl
 www.brimotech.nl

Part number: **EF0535**

Description:	Eyelet
Add. info:	
Material:	AISI 316 stainless steel
Finish:	Polished
Configuration:	Default
Weight:	20.86 Gram
Drawing:	EF0535
Project no:	-
Revision:	-

Date last saved:	28-1-2015
Date created:	5-6-2012
DXF available on request	
Scale:	2:1

Size
A4
 Drawn by:
 M. Brokkaar