

1 2 3 4 5 6

A

A

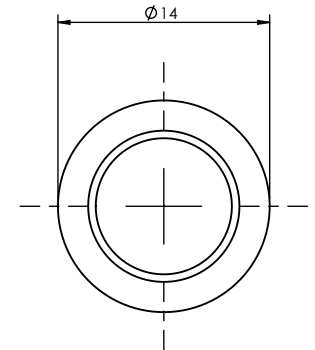
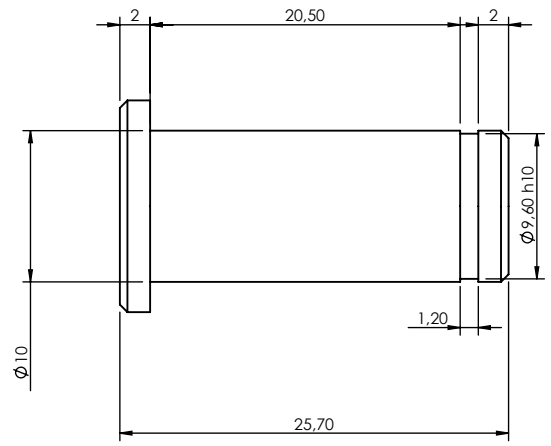
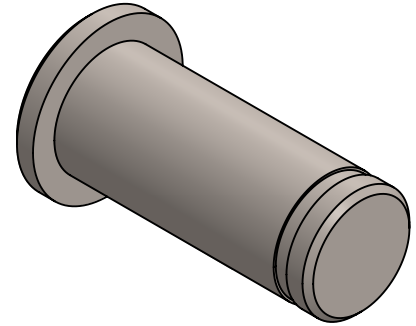
B

B

C

C

D

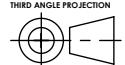


Unless otherwise specified: All dimensions are in millimeters & include chem. applied/plated finish. Remove Burrs & sharp edges.

CONFIDENTIAL: THIS DOCUMENT AND THE INFORMATION CONTAINED IN IT ARE CONFIDENTIAL AND CANNOT BE COPIED OR DISCLOSED IN WHOLE OR IN PART WITHOUT THE EXPRESS WRITTEN CONSENT OF BRIMOTECH SOLUTIONS HOLLAND

Tolerance according to NEN-ISO 406
 Roughness according to NEN 3634
 Shape tolerance according to NEN-ISO 1101

Nominal size (mm)	dim variation (mm)
0 - 3	±0.01
3 - 6	±0.015
6 - 10	±0.02
10 - 18	±0.03
18 - 30	±0.04
30 - 50	±0.05
50 - 100	±0.08
100 - 200	±0.12
200 - 500	±0.20



Brimotech
 solutions

Brimotech Solutions
 Koperstraat 4 8211 AK Lelystad
 T: +31 (0)320 769103 F: +31 (0)84 8317577
 The Netherlands

Info@brimotech.nl
 www.brimotech.nl

Part number: EF00541
Description: Pin 10mm fork DIN471
Add. info: For DIN471
Material: AISI Type 316L stainless steel
Finish: Polished
Configuration: Default
Weight: 17.28 Gram
Drawing: EF00541 **F1 Force:** N
Project no: -
Revision: -

Date last saved: 27-7-2015
 Date created: 8-9-2014
 DXF/STEP available on request
 Scale: 2:1

Size
A4
 Drawn by:
 M. Brokkaar

1 2 3 4 5 6