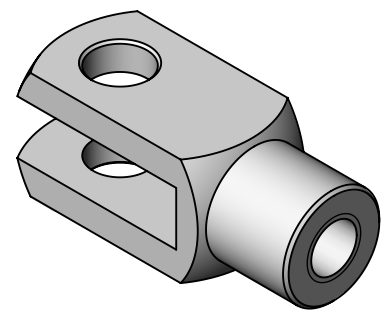
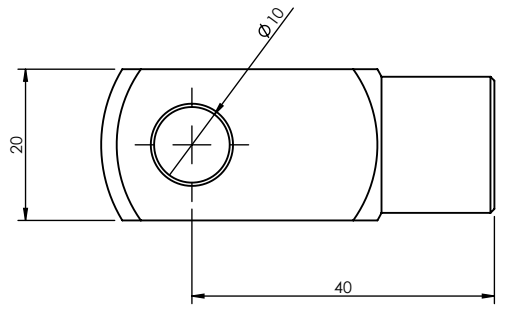


Ø 8,50 THRU
M10 - 6H THRU

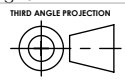


Unless otherwise specified:All dimensions are in millimeters&include chem.applied/plated finish.Remove Burrs & sharp edges.

CONFIDENTIAL: THIS DOCUMENT AND THE INFORMATION CONTAINED IN IT ARE CONFIDENTIAL, AND CANNOT BE COPIED OR DISCLOSED IN WHOLE OR IN PART WITHOUT THE EXPRESS WRITTEN CONSENT OF BRIMOTECH SOLUTIONS HOLLAND

Tolerance according to NEN-ISO 406
Roughness according to NEN 3634
Shape tolerance according to NEN-ISO 1101

Nominal size (mm)	dim variation (mm)
0 - 0.25	±0.03
0.25 - 0.5	±0.04
0.5 - 1	±0.05
1 - 2	±0.06
2 - 3	±0.07
3 - 5	±0.08
5 - 10	±0.09
10 - 15	±0.10
15 - 20	±0.11
20 - 30	±0.12
30 - 50	±0.13
50 - 70	±0.14
70 - 100	±0.15
100 - 150	±0.16
150 - 200	±0.17



Brimotech solutions
Brimotech Solutions
Koperstraat 4 8211 AK Lelystad
T: +31 (0)320 769103 F: +31 (0)84 8317577
The Netherlands
Info@brimotech.nl
www.brimotech.nl

Part number: EF00519	Description: Fork M10x40	Date last saved: 18-8-2015
Add. info:	Material: AISI 316 stainless steel	Date created: 18-8-2015
Finish: Polished	Configuration: Default	DXF/STEP available on request
Weight: 78.01	Unit: Gram	Size A4
Drawing: EF00519	Project no:	Drawn by: M. Brokkaar
Revision:	DIN: 71752	Scale: 1:1