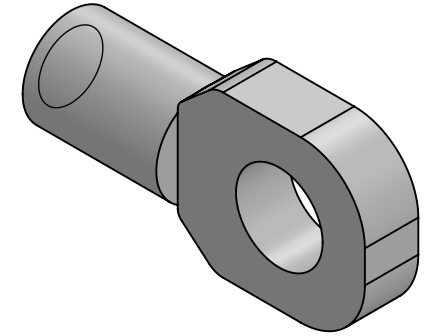
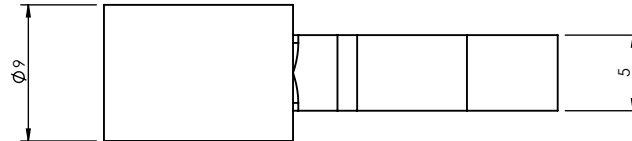
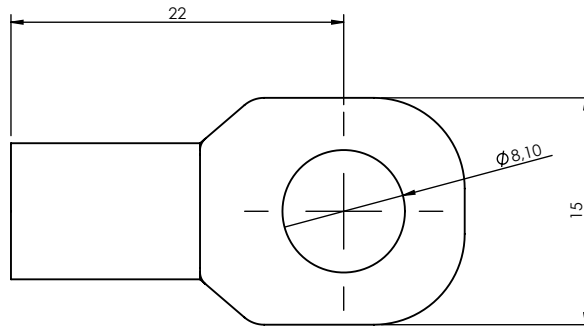
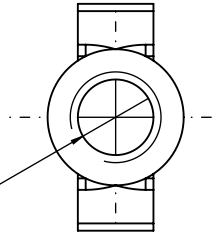


Ø 5 ∇ 12
M6 - 6H ∇ 12

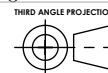


Unless otherwise specified: All dimensions are in millimeters & include chem. applied/plated finish. Remove Burrs & sharp edges.

CONFIDENTIAL: THIS DOCUMENT AND THE INFORMATION CONTAINED IN IT ARE CONFIDENTIAL AND CANNOT BE COPIED OR DISCLOSED IN WHOLE OR IN PART WITHOUT THE EXPRESS WRITTEN CONSENT OF BRIMOTECH SOLUTIONS HOLLAND

Tolerance according to NEN-ISO 406
Roughness according to NEN 3634
Shape tolerance according to NEN-ISO 1101

Nominal size (mm)	dim variation (mm)
0 - 0.25	±0.03
0.25 - 0.5	±0.04
0.5 - 1	±0.05
1 - 2	±0.07
2 - 3	±0.09
3 - 5	±0.12
5 - 10	±0.15
10 - 20	±0.20
20 - 30	±0.25
30 - 50	±0.30
50 - 100	±0.40
100 - 200	±0.50
200 - 500	±0.75
500 - 1000	±1.00
1000 - 2000	±1.50



Brimotech
solutions

Brimotech Solutions
Koperstraat 4 8211 AK Lelystad
T: +31 (0)320 769103 F: +31 (0)84 8317577
The Netherlands

Info@brimotech.nl
www.brimotech.nl

Part number: **EF00147**

Description: Eyelet 8mm

Add. info:
Material: Steel
Finish: Zinc plated
Configuration: Default
Weight: 11.50 Gram
Drawing: EF00147
Project no: -
Revision: -

Date last saved: 17-8-2015

Date created: 17-8-2015

DXF/STEP available on request

DIN: -
Scale: 2:1

Size
A4

Drawn by:
M. Brokkaar