

1 2 3 4 5 6

A

A

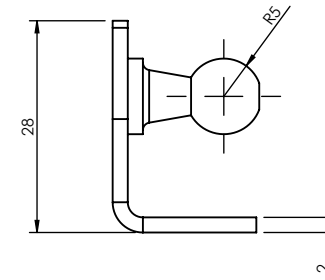
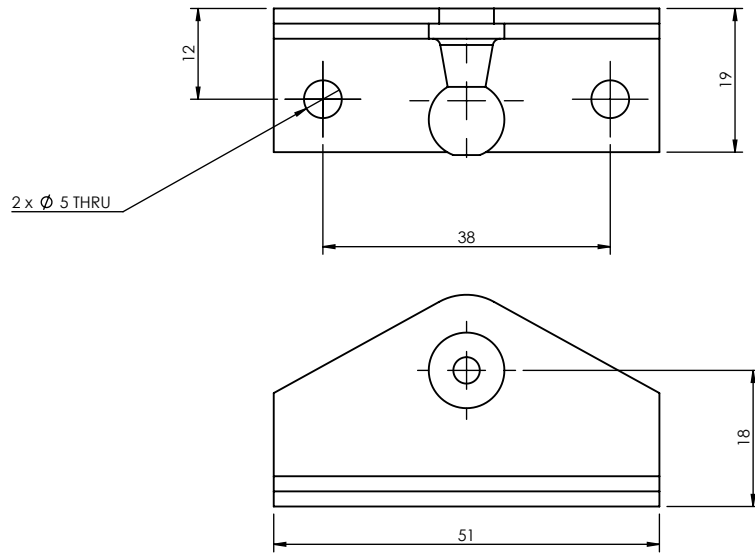
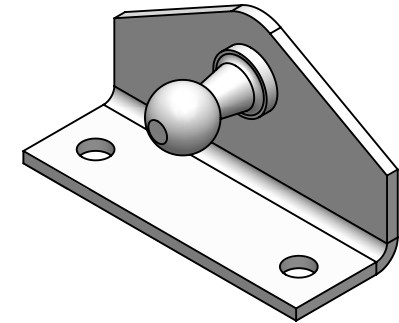
B

B

C

C

D

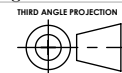


Unless otherwise specified: All dimensions are in millimeters & include chem. applied/plated finish. Remove Burrs & sharp edges.

CONFIDENTIAL: THIS DOCUMENT AND THE INFORMATION CONTAINED IN IT ARE CONFIDENTIAL AND CANNOT BE COPIED OR DISCLOSED IN WHOLE OR IN PART WITHOUT THE EXPRESS WRITTEN CONSENT OF BRIMOTECH SOLUTIONS HOLLAND

Tolerance according to NEN-ISO 406
 Roughness according to NEN 3634
 Shape tolerance according to NEN-ISO 1101

Nominal size (mm)	dim variation (mm)
0 - 3	±0.05
3 - 6	±0.07
6 - 10	±0.10
10 - 15	±0.12
15 - 20	±0.15
20 - 30	±0.20
30 - 50	±0.25
50 - 70	±0.30
70 - 100	±0.35
100 - 150	±0.40
150 - 200	±0.45



Brimotech solutions

Brimotech Solutions
 Koperstraat 4 8211 AK Lelystad
 T: +31 (0)320 769103 F: +31 (0)84 8317577
 The Netherlands

Info@brimotech.nl
 www.brimotech.nl

Part number: **EF00145**

Description: Bracket

Add. info:
 Material: Steel
 Finish: Zinc plated
 Configuration: Default
 Weight: 36.13 Gram
 Drawing: EF00145
 Project no: -
 Revision: -

Date last saved: 17-8-2015
 Date created: 24-5-2012
 DXF/STEP available on request
 DIN: -
 Scale: 1:1
 Drawn by: M. Brokkaar

Size
A4