

1 2 3 4 5 6

A

A

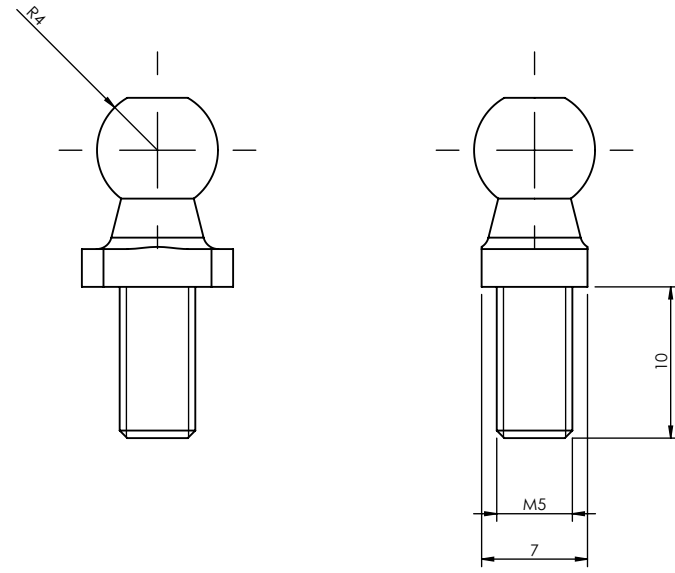
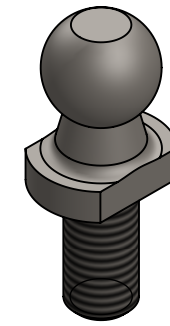
B

B

C

C

D

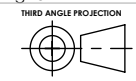


**Unless otherwise specified:**All dimensions are in millimeters&include chem.applied/plated finish.Remove Burrs & sharp edges.

**CONFIDENTIAL:** THIS DOCUMENT AND THE INFORMATION CONTAINED IN IT ARE CONFIDENTIAL, AND CANNOT BE COPIED OR DISCLOSED IN WHOLE OR IN PART WITHOUT THE EXPRESS WRITTEN CONSENT OF BRIMOTECH SOLUTIONS HOLLAND

Tolerance according to NEN-ISO 406  
 Roughness according to NEN 3634  
 Shape tolerance according to NEN-ISO 1101

Nominal size (mm)	dim variation (mm)
0 - 3	±0.05
3 - 6	±0.07
6 - 10	±0.10
10 - 18	±0.15
18 - 30	±0.20
30 - 50	±0.25
50 - 100	±0.30
100 - 200	±0.40
200 - 500	±0.50
500 - 1000	±0.60
1000 - 2000	±0.70



**Brimotech**  
 solutions

Brimotech Solutions  
 Koperstraat 4 8211 AK Lelystad  
 T: +31 (0)320 769103 F: +31 (0)84 8317577  
 The Netherlands

Info@brimotech.nl  
 www.brimotech.nl

**Part number:** EF000067

**Description:** Ball bolt M5x10

**Add. info:**  
 Material: Carbon steel  
 Finish: Galvanized  
 Configuration: Ball bolt M6x12 ball8 SW10  
 Weight: 5.44 Gram  
 Drawing: EF00067  
 Project no: -  
 Revision: -

Date last saved: 30-12-2013  
 Date created: 30-12-2013  
 DXF/STEP available on request  
 DIN: -  
 Scale: 2:1  
 Drawn by: M. Brokkaar

Size  
**A4**