

1 2 3 4 5 6

A

A

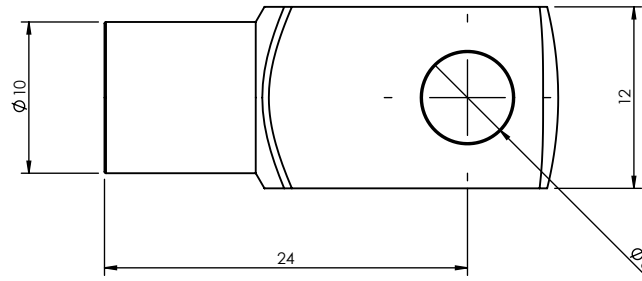
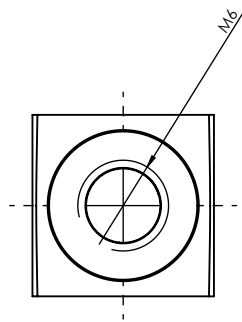
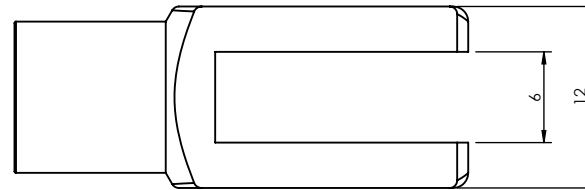
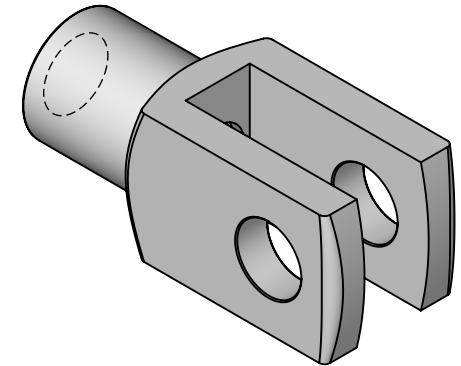
B

B

C

C

D

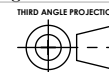


**Unless otherwise specified:**All dimensions are in millimeters&include chem.applied/plated finish.Remove Burrs & sharp edges.

**CONFIDENTIAL:** THIS DOCUMENT AND THE INFORMATION CONTAINED IN IT ARE CONFIDENTIAL, AND CANNOT BE COPIED OR DISCLOSED IN WHOLE OR IN PART WITHOUT THE EXPRESS WRITTEN CONSENT OF BRIMOTECH SOLUTIONS HOLLAND

Tolerance according to NEN-ISO 406  
 Roughness according to NEN 3634  
 Shape tolerance according to NEN-ISO 1101

Nominal size (mm)	dim variation (mm)
0 - 3	±0.05
3 - 6	±0.06
6 - 10	±0.08
10 - 15	±0.10
15 - 20	±0.12
20 - 30	±0.15
30 - 50	±0.20
50 - 70	±0.25
70 - 100	±0.30
100 - 150	±0.35
150 - 200	±0.40



**Brimotech** solutions

Brimotech Solutions  
 Koperstraat 4 8211 AK Lelystad  
 T: +31 (0)320 769103 F: +31 (0)84 8317577  
 The Netherlands

Info@brimotech.nl  
 www.brimotech.nl

**Part number:** EF00013

**Description:** Fork M6x24

**Add. info:**  
 Material: Steel  
 Finish: Zinc plated  
 Configuration: Default  
 Weight: 15.30 Gram  
 Drawing: EF00013  
 Project no:  
 Revision:

Date last saved: 2-1-2014  
 Date created: 15-4-2012  
 DXF/STEP available on request  
 DIN: 71752  
 Scale: 2:1  
 Drawn by: M. Brokkaar

Size  
**A4**