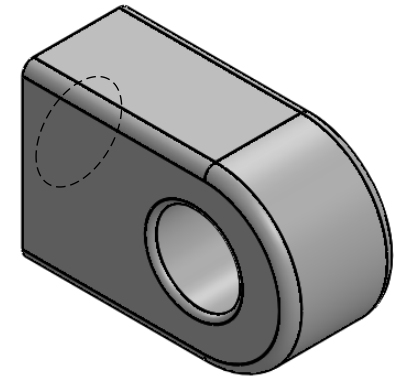
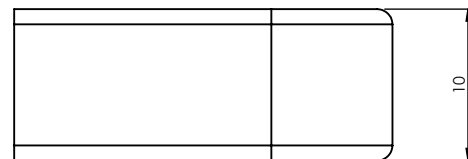
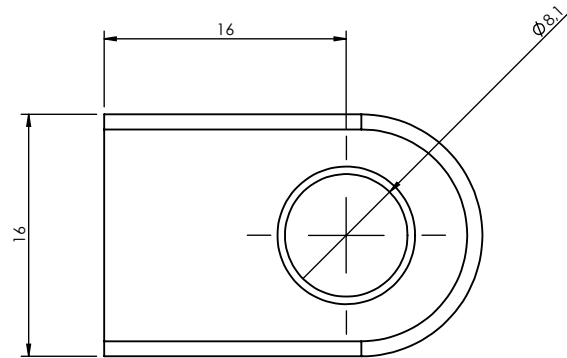
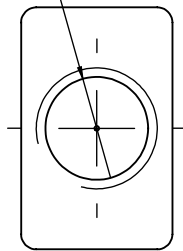


Ø 6.8 ∇ 10
M8 - 6H ∇ 16

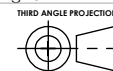


Unless otherwise specified:All dimensions are in millimeters&include chem.applied/plated finish.Remove Burrs & sharp edges.

CONFIDENTIAL: THIS DOCUMENT AND THE INFORMATION CONTAINED IN IT ARE CONFIDENTIAL, AND CANNOT BE COPIED OR DISCLOSED IN WHOLE OR IN PART WITHOUT THE EXPRESS WRITTEN CONSENT OF BRIMOTECH SOLUTIONS HOLLAND

Tolerance according to NEN-ISO 406
Roughness according to NEN 3634
Shape tolerance according to NEN-ISO 1101

Nominal size (mm)	dim variation (mm)
0 - 0.25	±0.03
0.25 - 0.5	±0.04
0.5 - 1	±0.05
1 - 3	±0.07
3 - 6	±0.10
6 - 10	±0.12
10 - 15	±0.15
15 - 20	±0.18
20 - 30	±0.20
30 - 50	±0.25
50 - 100	±0.30
100 - 150	±0.35
150 - 200	±0.40



Brimotech
solutions

Brimotech Solutions
Koperstraat 4 8211 AK Lelystad
T: +31 (0)320 769103 F: +31 (0)84 8317577
The Netherlands

Info@brimotech.nl
www.brimotech.nl

Part number: EF00002

Description: Eyelet 8mm

Add. info:
Material: Zinc plated steel
Finish: -
Configuration: Default
Weight: 21.79 Gram
Drawing: EF00002
Project no: -
Revision: -

Date last saved: 6-8-2012

Date created: 15-4-2012

DXF available on request

Size A4

Drawn by:
M. Brokkaar

Scale: 2:1