

1

2

3

4

5

6

A

A

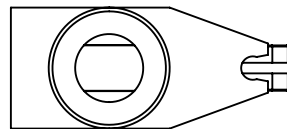
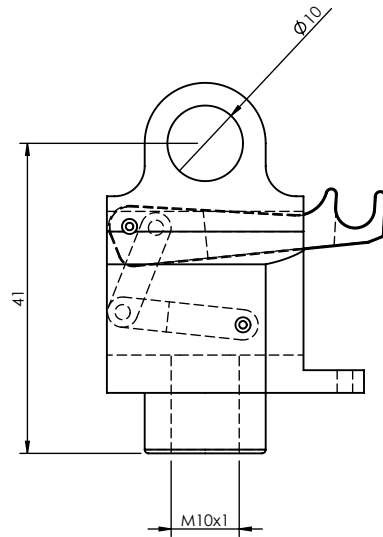
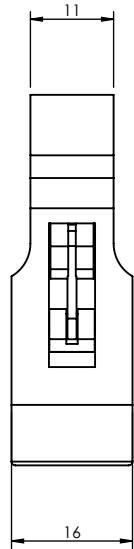
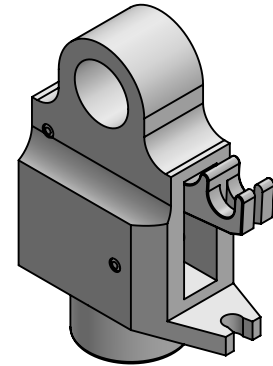
B

B

C

C

D

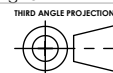


Unless otherwise specified: All dimensions are in millimeters & include chem. applied/plated finish. Remove Burrs & sharp edges.

CONFIDENTIAL: THIS DOCUMENT AND THE INFORMATION CONTAINED IN IT ARE CONFIDENTIAL, AND CANNOT BE COPIED OR DISCLOSED IN WHOLE OR IN PART WITHOUT THE EXPRESS WRITTEN CONSENT OF BRIMOTECH SOLUTIONS HOLLAND

Tolerance according to NEN-ISO 406  
 Roughness according to NEN 3634  
 Shape tolerance according to NEN-ISO 1101

Nominal size (mm)	dim variation (mm)
0 - 0.25	±0.03
0.25 - 0.5	±0.04
0.5 - 1	±0.05
1 - 2	±0.06
2 - 3	±0.07
3 - 5	±0.08
5 - 10	±0.09
10 - 15	±0.10
15 - 20	±0.11
20 - 30	±0.12
30 - 50	±0.13
50 - 70	±0.14
70 - 100	±0.15
100 - 150	±0.16
150 - 200	±0.17



**Brimotech** solutions

Brimotech Solutions  
 Koperstraat 4 8211 AK Lelystad  
 T: +31 (0)320 769103 F: +31 (0)84 8317577  
 The Netherlands

Info@brimotech.nl  
 www.brimotech.nl

Part number: 5000004

Description: Releasehead 1:21

Add. info:	
Material:	Zamak
Finish:	-
Configuration:	Default
Weight:	72.96 Gram
Drawing:	5000004
Project no:	-
Revision:	

Date last saved: 13-8-2012

Date created: 3-6-2012

DXF available on request

Scale: 1:1

Size A4  
 Drawn by: M. Brokkaar