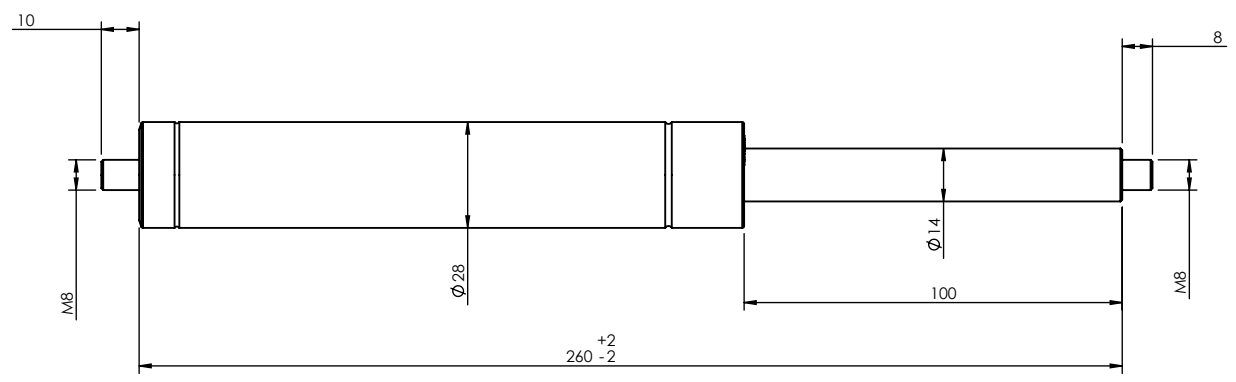


Valve M8



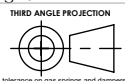
Laserprint code: - 30530001N

Unless otherwise specified: All dimensions are in millimeters & include chem. applied/plated finish. Remove Burrs & sharp edges.

CONFIDENTIAL: THIS DOCUMENT AND THE INFORMATION CONTAINED IN IT ARE CONFIDENTIAL AND CANNOT BE COPIED OR DISCLOSED IN WHOLE OR IN PART WITHOUT THE EXPRESS WRITTEN CONSENT OF BRIMOTECH SOLUTIONS BY HOLLAND

Tolerance according to NEN-ISO 406  
 Roughness according to NEN 3634  
 Shape tolerance according to NEN-ISO 1101

Nominal size (mm)	dim variation (mm)
0 - 3	±0.05
3 - 6	±0.06
6 - 10	±0.08
10 - 15	±0.10
15 - 20	±0.12
20 - 30	±0.15
30 - 50	±0.20
50 - 70	±0.25
70 - 100	±0.30
100 - 150	±0.40
150 - 200	±0.50



**Brimotech**  
 solutions

Brimotech Solutions BV  
 Artemisweg 105C 8239DD Lelystad  
 T: +31 (0)320 769103 F: +31 (0)84 8317577  
 The Netherlands

Info@brimotech.nl  
 www.brimotech.nl

Part number: **30530001**

Description: Gas spring stroke 100mm

Add. info: Laserprint / Viton / Valve

Material: Stainless steel 316

Finish: Eelctr. Polished

Configuration: **Open force [100N - 2500N]**

Weight: 295.68 Gram

Drawing: 30530001 **F1 Force: ....N**

Project no:

Revision:

Date last saved: 3-2-2021

Date created: 9-5-2012

DXF/STEP available on request

Scale: 1:2

Size **A4**

Drawn by: M. Brokkaar