

1 2 3 4 5 6

A

A

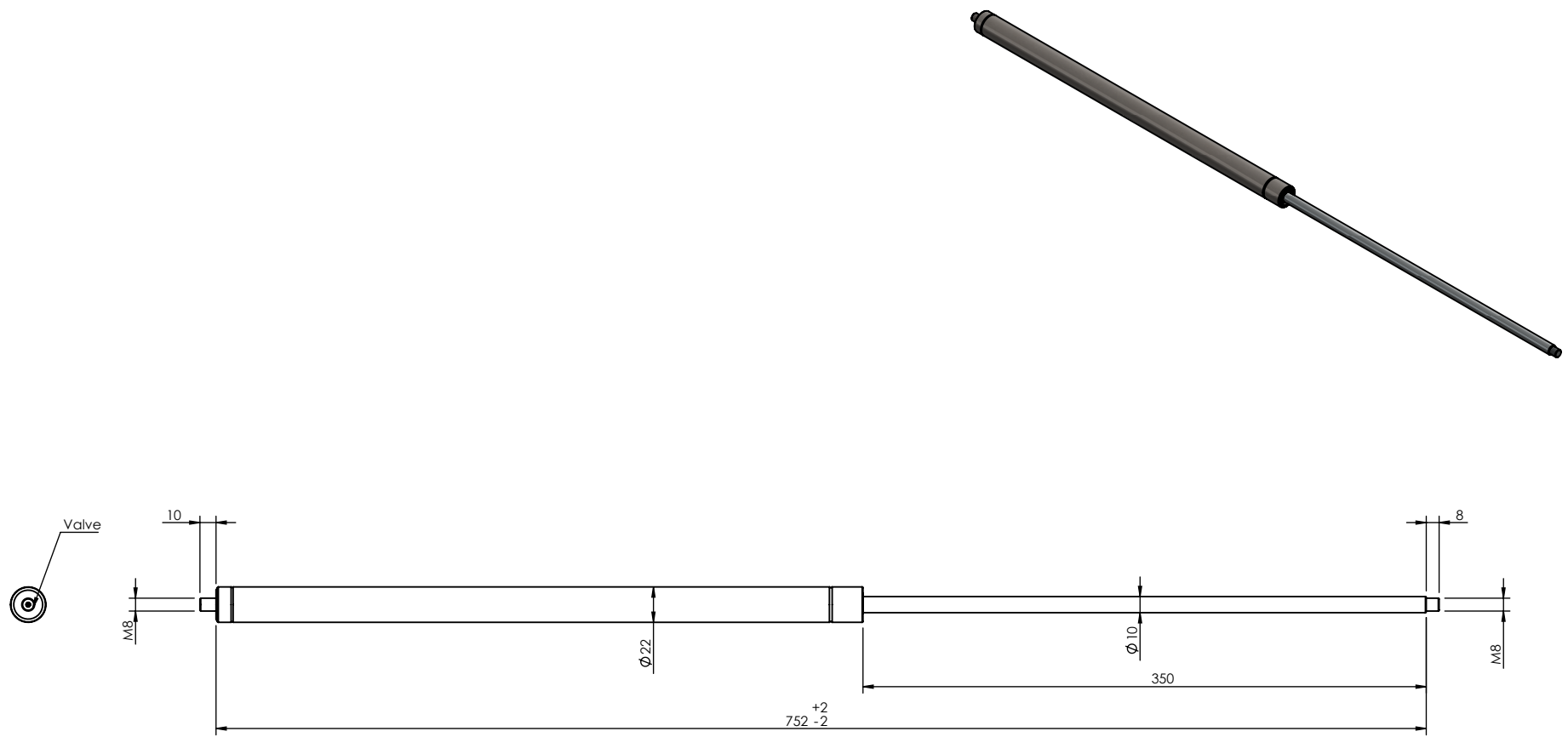
B

B

C

C

D



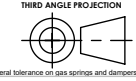
Laserprint code: - 30430015N

Unless otherwise specified: All dimensions are in millimeters & include chem. applied/plated finish. Remove Burrs & sharp edges.

CONFIDENTIAL: THIS DOCUMENT AND THE INFORMATION CONTAINED IN IT ARE CONFIDENTIAL, AND CANNOT BE COPIED OR DISCLOSED IN WHOLE OR IN PART WITHOUT THE EXPRESS WRITTEN CONSENT OF BRIMOTECH SOLUTIONS BY HOLLAND

Tolerance according to NEN-ISO 406
 Roughness according to NEN 3634
 Shape tolerance according to NEN-ISO 1101

Nominal size (mm)	dim variation (mm)
0 - 3	±0.05
3 - 6	±0.07
6 - 10	±0.10
10 - 15	±0.12
15 - 20	±0.15
20 - 30	±0.20
30 - 50	±0.25
50 - 100	±0.30
100 - 200	±0.40
200 - 500	±0.50
500 - 1000	±0.60
1000 - 2000	±0.70
2000 - 5000	±0.80
5000 - 10000	±1.00



Brimotech solutions
 Brimotech Solutions BV
 Artemisweg 105C 8239DD Lelystad
 T: +31 (0)320 769103 F: +31 (0)84 8317577
 The Netherlands
 info@brimotech.nl
 www.brimotech.nl

Part number: 30430015
Description: Gasspring stroke 350mm
Add. info: Viton seal / Valve
Material: Stainless steel 316
Finish: Eelctr. Polished
Configuration: Open force [100N-1200N]
Weight: 544.83 Gram
Drawing: 30430015 **F1 Force:**N
Project no:
Revision:
 Date last saved: 16-9-2021
 Date created: 1-5-2012
 DXF/STEP available on request
 Scale: 1:4
 Size A4
 Drawn by: M. Brokkaar