

1 2 3 4 5 6

A

A

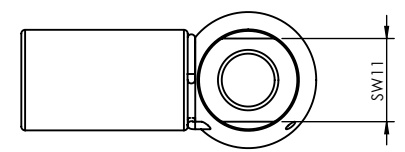
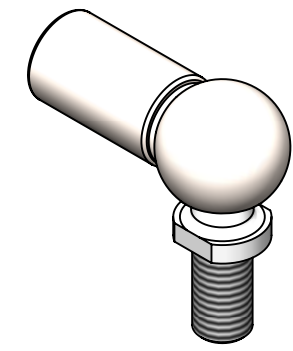
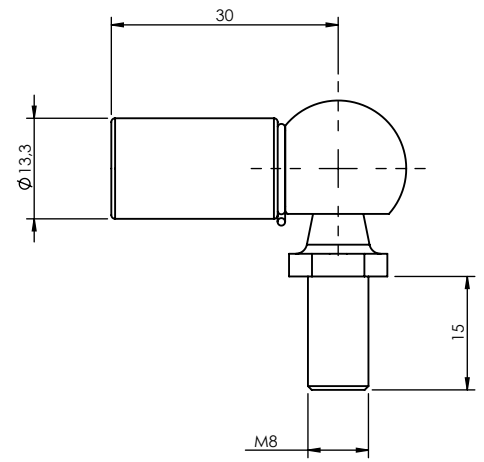
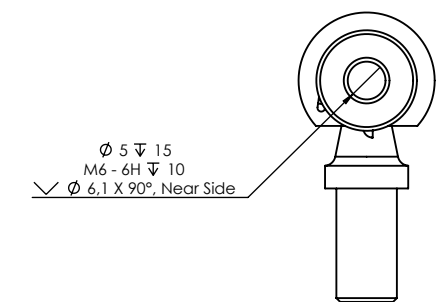
B

B

C

C

D

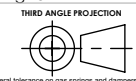


**Unless otherwise specified:**All dimensions are in millimeters&include chem.applied/plated finish.Remove Burrs & sharp edges.

**CONFIDENTIAL:** THIS DOCUMENT AND THE INFORMATION CONTAINED IN IT ARE CONFIDENTIAL, AND CANNOT BE COPIED OR DISCLOSED IN WHOLE OR IN PART WITHOUT THE EXPRESS WRITTEN CONSENT OF BRIMOTECH SOLUTIONS BY HOLLAND

Tolerance according to NEN-ISO 406  
 Roughness according to NEN 3634  
 Shape tolerance according to NEN-ISO 1101

Nominal size (mm)	dim variation (mm)
0 - 0.25	± 0.03
0.25 - 0.5	± 0.04
0.5 - 1	± 0.05
1 - 2	± 0.06
2 - 3	± 0.07
3 - 5	± 0.08
5 - 10	± 0.09
10 - 15	± 0.10
15 - 20	± 0.11
20 - 30	± 0.12
30 - 50	± 0.13
50 - 70	± 0.14
70 - 100	± 0.15
100 - 150	± 0.16
150 - 200	± 0.17



**Brimotech** solutions  
 Brimotech Solutions BV  
 Koperstraat 4 8211 AK Lelystad  
 T: +31 (0)320 769103 F: +31 (0)84 8317577  
 The Netherlands  
 Info@brimotech.nl  
 www.brimotech.nl

<b>Part number:</b> EF00558	<b>Description:</b> M6x30 balljoint special	<b>Date last saved:</b> 10-11-2017
<b>Add. info:</b>	<b>Material:</b> Stainless steel 316	<b>Date created:</b> 22-6-2012
<b>Finish:</b> Polished	<b>Configuration:</b> Default	<b>Weight:</b> 53.90 Gram
<b>Drawing:</b> EF00558	<b>F1 Force:</b> N	<b>DXF/STEP available on request</b>
<b>Project no:</b>	<b>Revision:</b>	<b>Scale:</b> 1:1