

1

2

3

4

5

6

A

A

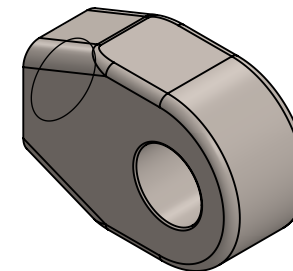
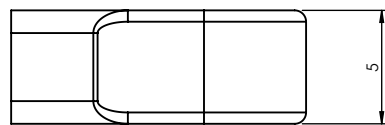
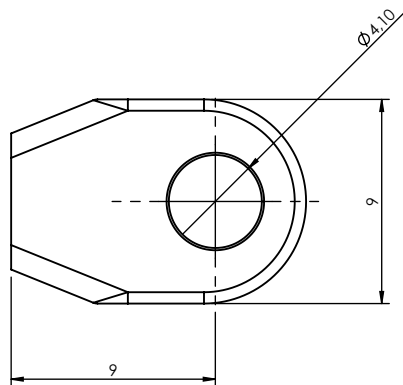
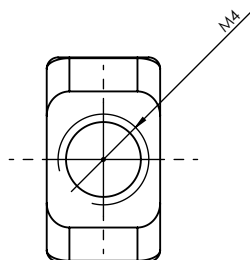
B

B

C

C

D

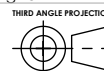


Unless otherwise specified:All dimensions are in millimeters & include chem.applied/plated finish. Remove Burrs & sharp edges.

CONFIDENTIAL: THIS DOCUMENT AND THE INFORMATION CONTAINED IN IT ARE CONFIDENTIAL, AND CANNOT BE COPIED OR DISCLOSED IN WHOLE OR IN PART WITHOUT THE EXPRESS WRITTEN CONSENT OF BRIMOTECH SOLUTIONS BY HOLLAND

Tolerance according to NEN-ISO 406
 Roughness according to NEN 3634
 Shape tolerance according to NEN-ISO 1101

Nominal size (mm)	dim variation (mm)
0 - 0.25	±0.03
0.25 - 0.5	±0.04
0.5 - 1	±0.05
1 - 2	±0.06
2 - 3	±0.07
3 - 5	±0.08
5 - 10	±0.09
10 - 15	±0.10
15 - 20	±0.11
20 - 30	±0.12
30 - 50	±0.13
50 - 70	±0.14
70 - 100	±0.15
100 - 150	±0.16
150 - 200	±0.17



Brimotech
 solutions

Brimotech Solutions BV
 Koperstraat 4 8211 AK Lelystad
 T: +31 (0)320 769103 F: +31 (0)84 8317577
 The Netherlands

Info@brimotech.nl

www.brimotech.nl

Part number: EF00548

Description: Eyelet M4

Add. info:
 Material: AISI Type 316L stainless steel
 Finish: Polished
 Configuration: **Default**
 Weight: 3.11 Gram
 Drawing: EF00548 **F1 Force: N**
 Project no: -
 Revision: -

Date last saved: 26-9-2016

Date created: 26-9-2016

DXF/STEP available on request

Scale: 3:1

Size A4

Drawn by: M. Brokkaar