

1 2 3 4 5 6

A

A

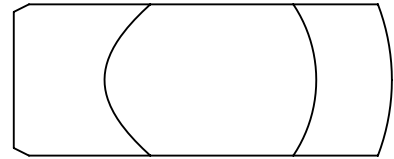
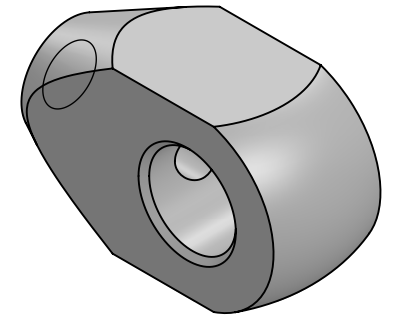
B

B

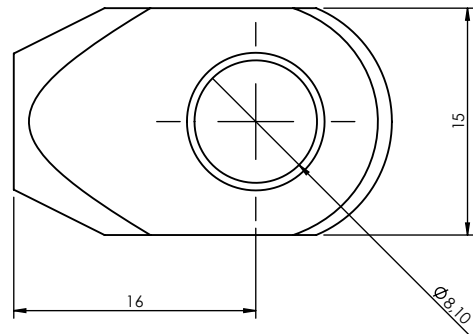
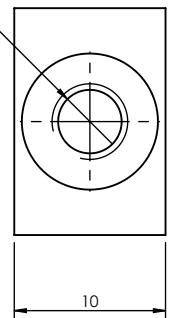
C

C

D



Ø 4,20 ∇ 14
M5 - 6H ∇ 10

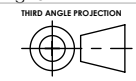


Unless otherwise specified:All dimensions are in millimeters&include chem.applied/plated finish.Remove Burrs & sharp edges.

CONFIDENTIAL: THIS DOCUMENT AND THE INFORMATION CONTAINED IN IT ARE CONFIDENTIAL, AND CANNOT BE COPIED OR DISCLOSED IN WHOLE OR IN PART WITHOUT THE EXPRESS WRITTEN CONSENT OF BRIMOTECH SOLUTIONS HOLLAND

Tolerance according to NEN-ISO 406
Roughness according to NEN 3634
Shape tolerance according to NEN-ISO 1101

Nominal size (mm)	dim variation (mm)
0 - 0.25	±0.03
0.25 - 0.5	±0.04
0.5 - 1	±0.05
1 - 2	±0.06
2 - 3	±0.07
3 - 5	±0.08
5 - 10	±0.09
10 - 15	±0.10
15 - 20	±0.11
20 - 30	±0.12
30 - 50	±0.13
50 - 70	±0.14
70 - 100	±0.15
100 - 150	±0.16
150 - 200	±0.17



Brimotech solutions
Brimotech Solutions
Koperstraat 4 8211 AK Lelystad
T: +31 (0)320 769103 F: +31 (0)84 8317577
The Netherlands

Info@brimotech.nl
www.brimotech.nl

Part number: EF00132
Description: Eyelet Ø8
Add. info:
Material: Steel
Finish: Zinc plated
Configuration: Default
Weight: 19.56 Gram
Drawing: EF00132
Project no.: -
Revision: -

Date last saved: 15-4-2014
Date created: 15-4-2014
DXF/STEP available on request
DIN: -
Scale: 2:1
Drawn by: M. Brokkaar

Size
A4

1 2 3 4 5 6